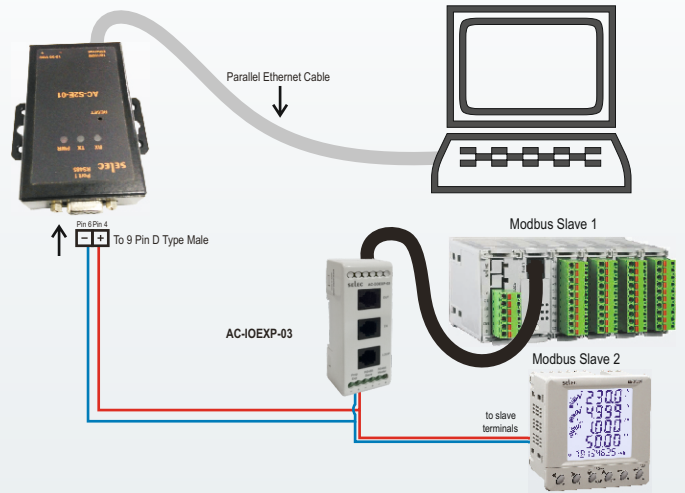


Serial To Ethernet Converter



**Power Supply**

Supply Voltage 12 to 30 VDC  
 Power Consumption 0.5 W max  
 Protection against Polarity Yes

**Inversions**

**Serial Interface**

Serial Standard RS485  
 Connector DB9 Female  
 Baud rate 300 bps to 115200 bps  
 Data bits 8  
 Stop bits 1, 2  
 Parity None, Odd, Even  
 RS485 Signal Data+, Data-  
 RS485 Data Direction Control Auto

**Ethernet Interface**

Connector RJ-45  
 No. of Ports 1  
 Speed 10/100 Mbps  
 Protocol TELNET, TCP (Server Only)  
 IP Configuration DHCP/Auto IP, Static IP  
 Signal Tx+, Tx-, Rx+, Rx-

**General Characteristics**

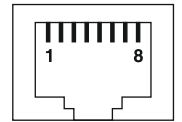
Operating Temperature 0 to 55C  
 Humidity 95% RH  
 Storage Temperature -10 to 80°C  
 Enclosure Metal body enclosure  
 Weight Approx. 150 gms  
 Dimensions Without ears : 98.9 x 55 x 22 (H x W x D)mm approx.  
 With ears : 98.9 x 78 x 22 (H x W x D)mm approx.

**Configuration**

Reset 1 tactile switch (to reset Parameter Settings)  
 LED Indicators 1) Power On  
 2) RS485 – Rx  
 3) RS485 – Tx  
 4) Ethernet Communication (Jack in-built)

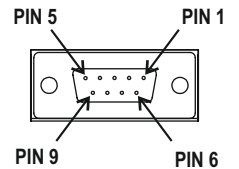
**Ethernet port Pinouts**

PIN	SIGNAL
1	Tx +
2	Tx -
3	Rx +
4	---
5	---
6	Rx -
7	---
8	---

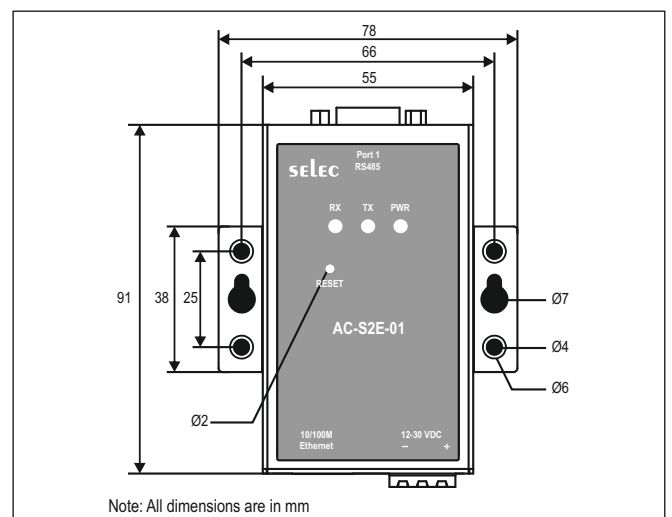


**Serial Port Pinouts**

PIN	RS-485
1	---
2	---
3	---
4	DATA +
5	---
6	---
7	---
8	---
9	DATA -



**Dimensions :**



**Ordering Information**

Product Code	Description	Certification
AC-S2E-01	Converter – RS485 to Ethernet	CE RoHS in process